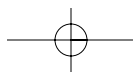


# Carrier Transport A/C

RF-353

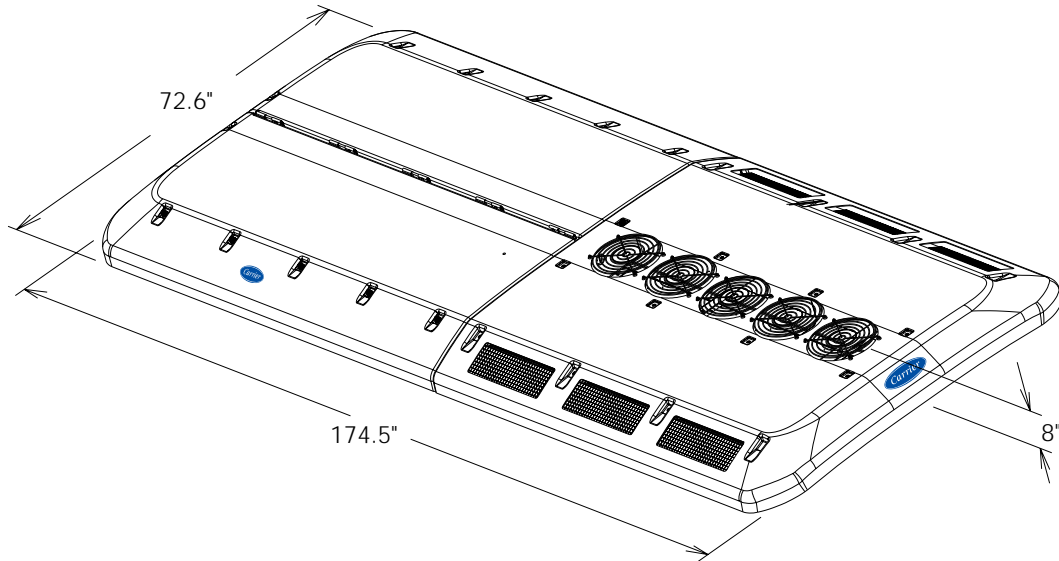


Low - Profile  
High  
Performance  
ROOFMOUNT  
air conditioning  
SYSTEM.



# RF-353. The ROOFMOUNT system that puts performance ABOVE ALL.

The RF-353 high capacity roofmount system has been specifically engineered for use on transit style buses. This system is a perfect marriage of European technology and American application. The ultra-low profile RF-353 frees up the skirt area for a variety of options like CNG tanks, wheelchair lifts, and luggage boxes. Simply mount it outside and free up space inside.



## SPECIFICATIONS

### Standard Features Include:

- **High Capacity:** Delivers the highest capacity in its class using environmentally friendly R-134a refrigerant
- **Aerodynamic Design:** The sleek, low profile design looks like part of the roof, and not like an add-on. In fact, it has the lowest profile (only 7") on the market today
- **Transit-Duty Construction:** Combines the durability and corrosion resistance of aluminum and fiberglass. This gives you all the reliability you have come to depend on from Carrier
- **Long-Life Motors:** Swiss-made, stainless steel shaft with long-life ball bearing motors. Delivers over 10,000 hours of continuous life
- **Leak-Free Connections:** All refrigerant termination points feature o-ring connections for ease of installation and leak-free reliability
- **Quiet Operation:** Designed using Carrier's newest "whisper quiet" fan technology, which delivers the highest-rated CFM at the industry's lowest decibel rating

### Cooling Capacity

110,000 BTU/Hr

### Heating Capacity

137,000 BTU/Hr

### Airflow Evap.

3,708 CFM

### Total Power Input

103.5 Amps

### Dimensions

174.5"x72.6"x8" (LxWxH)

### Weight

570 lbs.



A member of the United Technologies Corporation Family  
Stock Symbol UTX.

Printed in USA 0302  
Form 210-031

Specifications are subject to change without notice.  
[www.transportaircon.carrier.com](http://www.transportaircon.carrier.com)



Carrier Refrigeration Operations  
Carrier Transport Air Conditioning  
715 Willow Springs Lane  
York, PA 17402  
717-767-6531  
800-673-2431  
Fax: 717-764-0401